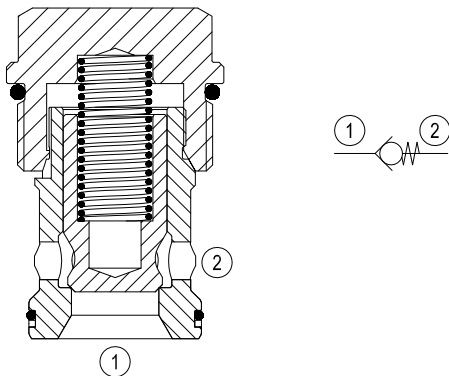


Check, poppet type

Common cavity, Size 20

VUCN-20A

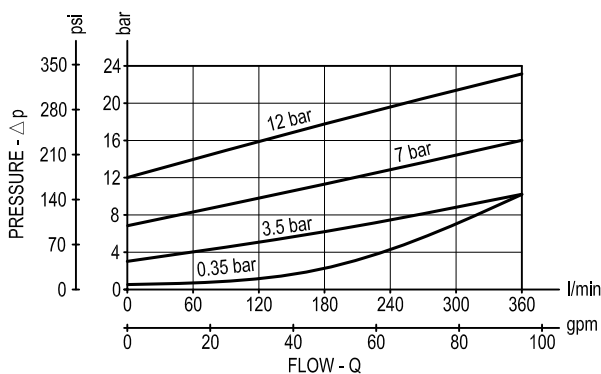
04.31.32.00.58 - Z



Description

When pressure at 1 rises above the spring bias pressure, the poppet is lifted and flow allowed from 1 to 2. The valve is closed (checked) from 2 to 1. Precision machining and hardening processes allow virtually leak-free performance in the checked condition.

Performance

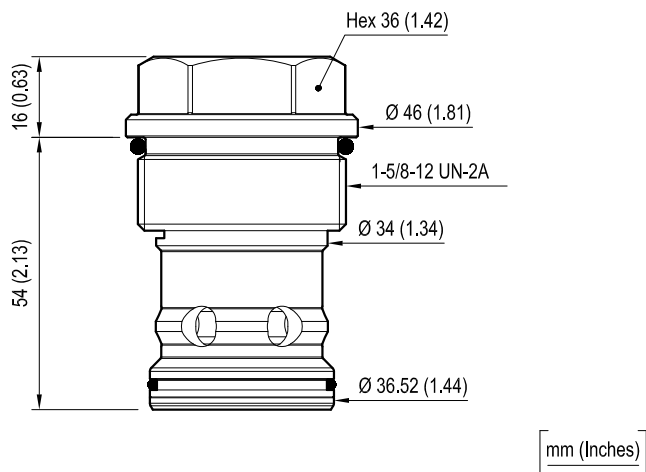


Technical data

Max. operating pressure	bar (psi)	350 (5000)
Max. flow	l/min. (gpm)	360 (95)
Max. internal leakage	drops/min.	5
Fluid temperature range	°C (°F)	-30 to 100 (-22 to 212)
Installation torque	Nm (ft-lbs)	128-149 (95-110)
Weight	kg (lbs)	0.38 (0.84)
Cavity		CA-20A-2N see data sheet RE 18325-70
Seal kit (*)	code material no.	RG20A2010520100 R930005602
Fluids		Mineral-based or synthetics with lubricating properties at viscosities of 5 to 800 mm ² /s (cSt)
Filtration		Nominal value max. 10µm (NAS 8) ISO 4406 19/17/14
Installation		No restrictions
Other Technical Data		See data sheet RE 18350-50

(*) Only external seals for 10 valves

Dimensions



Ordering code

04.31.32.00	58	Z	00	*
-------------	----	---	----	---

Check, poppet type

Common cavity, Size 20

Series 0/A to L
unchanged performances and dimensions

Version and options standard

SPRINGS	
Cracking pressure bar (psi)	
= 00	0.35 (5)
= 03	3.5 (51)
= 07	7 (102)
= 12	12 (174)

Type	Material number
043132005800000	R901109780
043132005803000	R901109781
043132005807000	R901109783
043132005812000	R930000319

Type	Material number