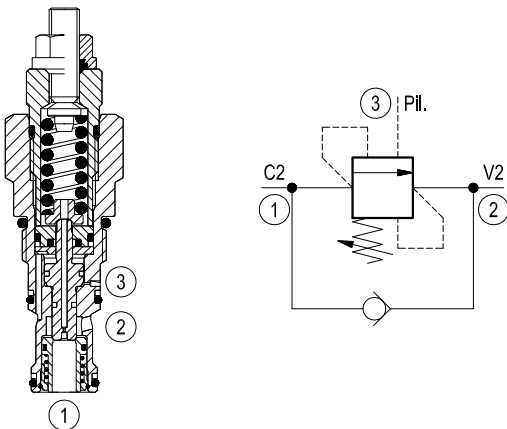


Counterbalance, standard poppet type differential area

Common cavity, Size 10

VBSN-10A

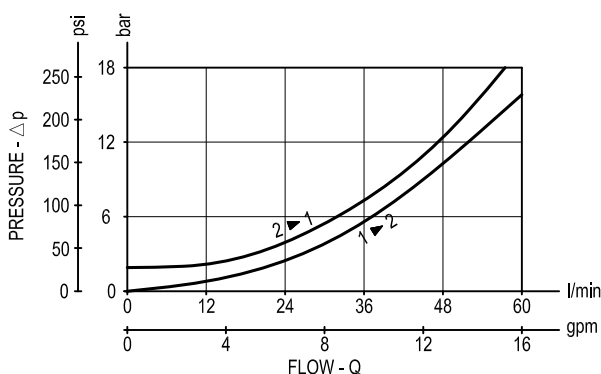
04.52.31 - X - 85 - Z



Description

When pressure at 2 rises above the spring bias pressure, the check seat is pushed away from the piston and flow is allowed from 2 to 1. When load pressure at 1 rises above the pressure setting, the direct-acting, differential area relief function is activated and flow is relieved from 1 to 2. With pilot pressure at 3, the pressure setting is reduced in proportion to the stated ratio of the valve, until fully open with free-flow from 1 to 2. The spring chamber is drained to 2, and any back-pressure at 2 is additive to the pressure setting in all functions.

Performance



Technical data

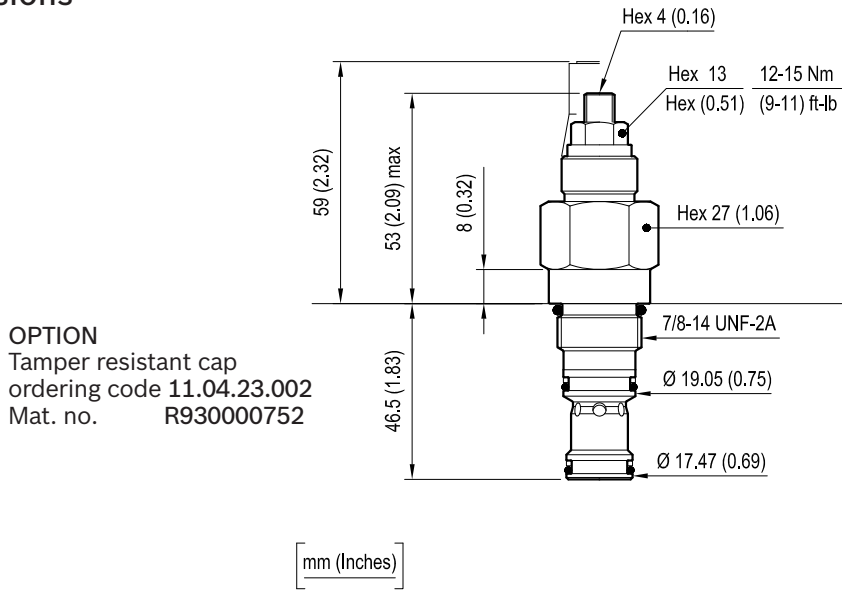
Max. operating pressure	bar (psi)	350 (5000)
Max. flow	l/min. (gpm)	60 (16)
Max. internal leakage (*)	drops/min.	15
Fluid temperature range	°C (°F)	-30 to 100 (-22 to 212)
Installation torque	Nm (ft-lbs)	41-47 (30-35)
Weight	kg (lbs)	0.2 (0.44)
Cavity		CA-10A-3C see data sheet RE 18325-70
Seal kit (**)	code material no.	RG10A9010520100 R901111367
Fluids		Mineral-based or synthetics with lubricating properties at viscosities of 10 to 500 mm ² /s (cSt)
Filtration		Nominal value max. 10µm (NAS 8) ISO 4406 19/17/14
Installation		No restrictions
Other Technical Data		See data sheet RE 18350-50

Pressure setting: at least 1.3 times the load induced pressure.

(*) At 70% of pressure setting

(**) Only external seals for 10 valves

Dimensions



Ordering code

04.52.31	X	85	Z	00	*
----------	---	----	---	----	---

Counterbalance, standard pop-pet type differential area

Pilot ratio
 = 03 3:1
 = 10 8:1

Common cavity, Size 10

Series 0/A to L
 unchanged performances and dimensions

Version and options standard

		SPRINGS		
		Adj. press. range bar (psi)	Pressure increase bar/turn (psi/turn)	Std. setting bar (psi) Q=5 l/min
for X=03	= 20	70-210 (1000-3000)	135 (1958)	200 (2900)
	= 35	140-350 (2000-5000)	196 (2842)	350 (5000)
for X=10	= 20	70-210 (1000-3000)	52 (754)	200 (2900)
	= 35	140-350 (2000-5000)	89 (1291)	350 (5000)

Note: Special settings available. Contact factory authorized representative for ordering code

Type	Material number
04523103852000A	R901096029
04523103853500A	R901096037
04523110852000A	R901096038
04523110853500A	R901096041

Type	Material number