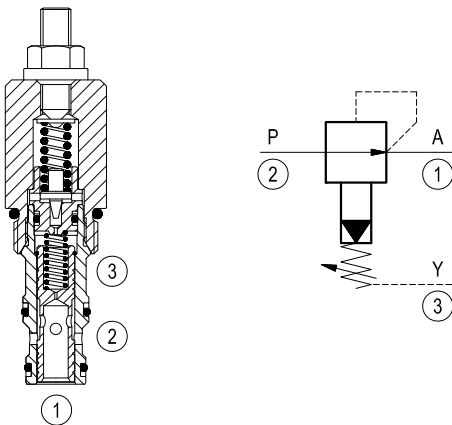


Pressure reducing, pilot operated spool type

Common cavity, Size 10

VRPP-10A

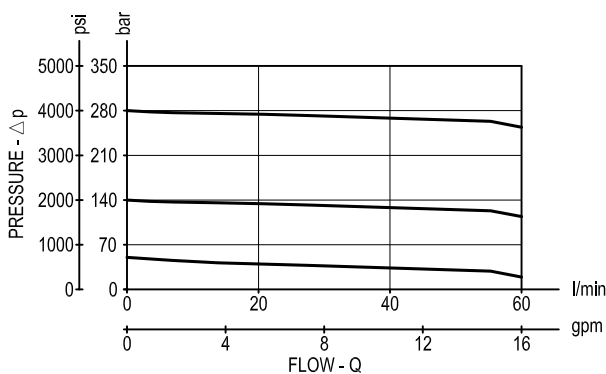
04.93.06 - X - 85 - Z



Description

Initially, flow passes freely from 2 to 1. When the pressure at 1 exceeds the pressure setting, the valve acts to restrict input flow at 2. This increases the pressure drop through the valve and maintains consistent pressure at 1. The spring chamber is drained at 3 to prevent a build-up of back-pressure against the spool.

Performance



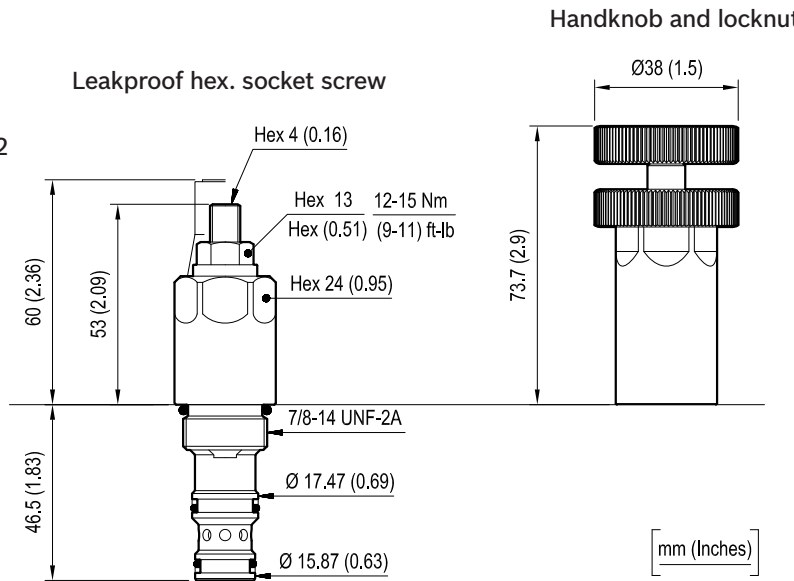
Technical data

Max. operating pressure port 2 (P)	bar (psi)	350 (5000)
Max. pressure admitted port 1 (A)	bar (psi)	280 (4000)
Max. flow	l/min. (gpm)	60 (16)
Standard internal pilot orifice diameter	mm	0.6
Fluid temperature range	°C (°F)	-30 to 100 (-22 to 212)
Installation torque	Nm (ft-lbs)	41-47 (30-35)
Weight	kg (lbs)	0.21 (0.46)
Cavity		CA-10A-3N see data sheet RE 18325-70
Seal kit (*)	code material no.	RG10A3010520100 R901111369
Fluids		Mineral-based or synthetics with lubricating properties at viscosities of 10 to 500 mm ² /s (cSt)
Filtration		Nominal value max. 10µm (NAS 8) ISO 4406 19/17/14
Installation		No restrictions
Other general technical data		See data sheet RE 18350-50

(*) Only external seals for 10 valves

Dimensions

OPTION
 Tamper resistant cap
 ordering code 11.04.23.002
 Mat. no. R930000752



Ordering code

04.93.06	X	85	Z	00	*
----------	---	----	---	----	---

Relief, pilot operated spool type

Adjustments

= 03 Leakproof hex.socket screw

= 04 Handknob and locknut

Common cavity, Size 10

Series 0/A to L
 unchanged performances and dimensions

Version and options standard

		SPRINGS		
		Adj. pressure range bar (psi)	Pres. increase bar/turn (psi/turn)	Std. setting bar (psi) Q=5 l/min.
for X=03	= 10	35-140 (500-2000)	48 (696)	100 (1450)
	= 20	70-280 (1000-4000)	88 (1276)	200 (2900)
for X=04	= 35	35-350 (500-5000)	68 (986)	350 (5000)

Note: Special settings available. Contact factory authorized representative for ordering code

Type	Material number
049306038510000	R901104112
049306038520000	R901104113
049306048535000	R930005676

Type	Material number