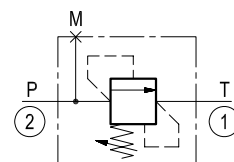
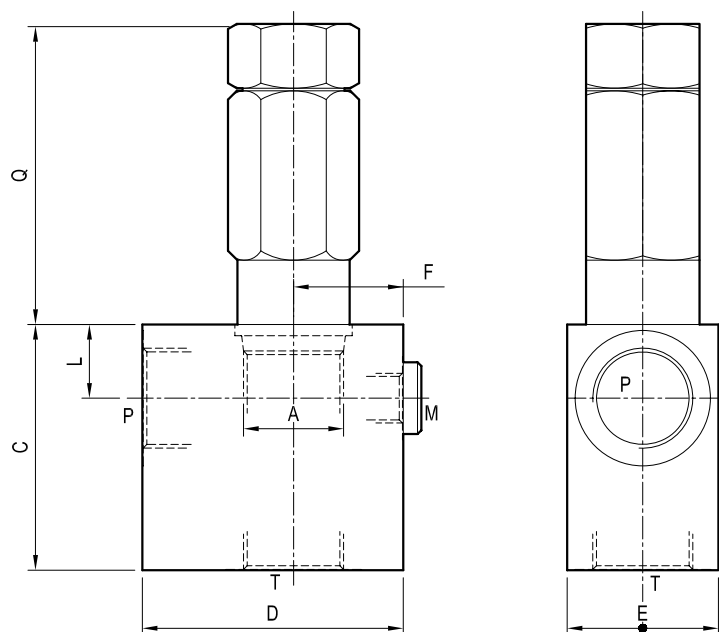


RELIEF, DIRECT ACTING POPPET TYPE, DIFFERENTIAL AREA
SPECIAL CAVITY
CARTRIDGE STYLE IN MANIFOLD

VSDC-150

05.12.02 - X - Y - Z



TECHNICAL DATA

Max flow: up to 150 l/min (40 gpm)

Max operating pressure: 210 bar (3000 psi)

Standard manifolds in high strength aluminium.
For working pressure up to 350 bar (5000 psi) and for fatigue applications with any working pressure, steel manifolds are available upon request.

X See next page

Special Cavity	Y	PORT SIZE		DIMENSIONS mm (Inches)																
		P-T	M	C	D	E	F	G	H	I	L	M	N	O	Q	R	S			
005	03	G 1/2	G 1/4	65 (2.56)	69 (2.72)	40 (1.58)	29 (1.14)											79 (3.11)		
	04	G 3/4	G 1/4	65 (2.56)	69 (2.72)	40 (1.58)	29 (1.14)											79 (3.11)		

Z	SPRINGS				
	Adjust pressure range bar (psi)	Pressure increase bar (psi)	Standard setting bar (psi) Q = 5 l/min	Ordering code	Colour
05	5-50 (75-725)	16 (232)	50 (725)	03.51.01.150	black
10	40-100 (580-1450)	33 (479)	100 (1450)	03.51.01.151	blue
20	70-210 (1000-3000)	68 (986)	200 (2900)	03.51.01.152	green
35	130-350 (1900-5000)	105 (1523)	350 (5000)	03.51.01.142	yellow