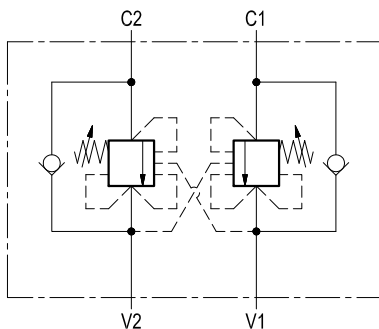
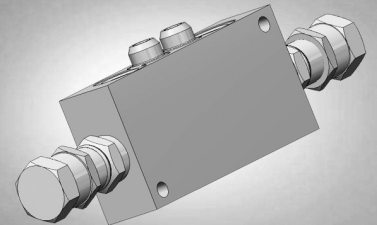


## Dual counterbalance, relief compensated

VBSO-DE-CC

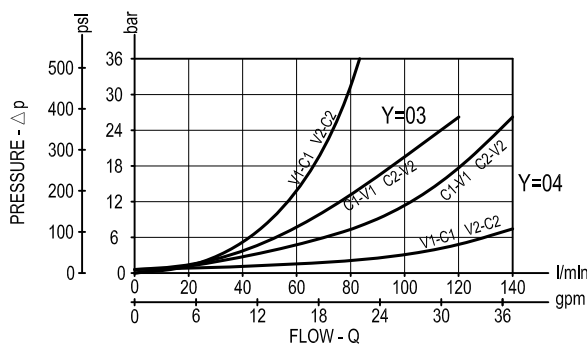
05.42.05 - X - Y - Z



### Description

It provides static and dynamic control of load by regulating the flow IN and OUT of the actuator, through ports C1 and C2. This valve module includes 2 sections, each one composed by a check and a relief valve with balanced piston, pilot assisted by pressure in the opposite line: the check section allows free flow into the actuator, then holds the load against reverse movement; with pilot pressure applied at the line across, the pressure setting of the relief is reduced in proportion to the stated ratio until opening and allowing controlled reverse flow. Relief operates at the valve setting independent of back-pressure, but the piloted opening remains subject to additive pressure at V1 or V2.

### Performance



### Technical data

#### Hydraulic

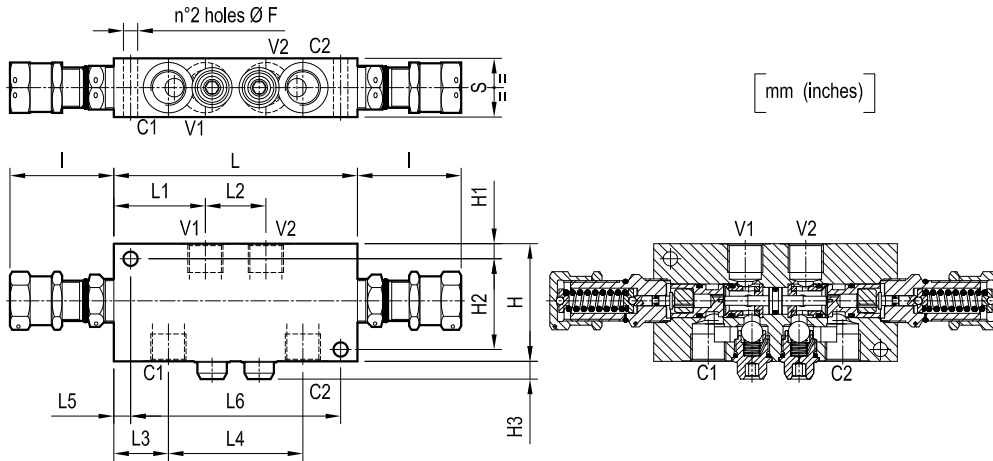
Operating pressure	bar (psi)	up to 210 (3000)
Max. flow: see performance graph		

#### General

Manifold material	Aluminium	
Note: aluminium bodies are often strong enough for operating pressures exceeding 210 bar (3000 psi), depending from the fatigue life expected in the specific application. If in doubt, consult our Service Network.		
Weight	see "Dimensions"	
Fluid temperature range	°C (°F)	between -30 (-22) and +100 (212)
Other technical data	see data sheet RE 18350-50	

**Note:** for applications outside these parameters, please consult us.

Dimensions



40 (1.58)	155 (6.1)	10 (0.39)	107 (4.21)	34 (1.34)	50 (1.97)	62.5 (2.46)	175 (6.89)	62 (2.44)	11 (0.43)	70 (2.76)	10 (0.39)	90 (3.54)	10.5 (0.41)	G 3/4	2.2 (4.9)
35 (1.38)	125 (4.92)	10 (0.39)	80 (3.15)	32.5 (1.28)	36 (1.42)	54.5 (2.15)	145 (5.71)	62 (2.44)	11 (0.43)	54 (2.13)	8 (0.32)	70 (2.76)	8.5 (0.34)	G 1/2	1.45 (3.2)
S	L6	L5	L4	L3	L2	L1	L	I	H3	H2	H1	H	F	Y	Weight kg (lbs)

Ordering code

<b>05.42.05</b>	<b>X</b>	<b>Y</b>	<b>Z</b>
-----------------	----------	----------	----------

Dual counterbalance,  
relief compensated

Pilot ratio

= 02 8.2:1

= 10 3.2:1

Port sizes

V1-V2

C1-C2

= 03

G 1/2

G 1/2

= 04

G 3/4

G 3/4

SPRINGS

	Adj. pressure range bar (psi)	Pres. increase bar/turn (psi/turn)	Std. setting Q=5 (l/min.) bar (psi)
= 20	60-210 (900-3000)	54 (783)	200 (2900)
= 35	100-350 (1450-5000)	95 (1378)	350 (5000)

Type	Material number
054205020320000	R930001786
05420502033500A	R930001787
054205020420000	R930001789
05420502043500B	R930001790
054205100320000	R930001942
05420510033500A	R930001794
054205100420000	R930001943
05420510043500A	R930001799

Type	Material number