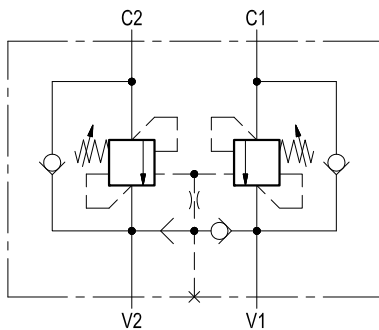


Dual counterbalance

A-VBSO-DE-SAF

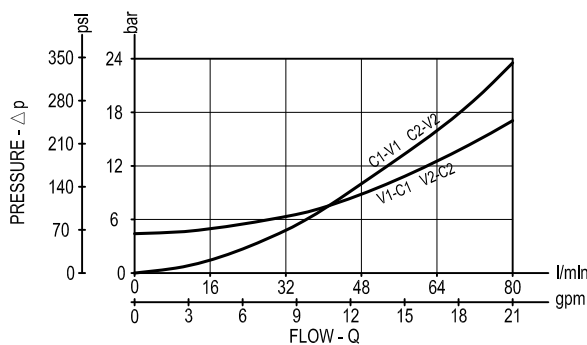
08.44.60 - X - Y - Z



Description

It provides static and dynamic control of load by regulating the flow IN and OUT of the actuator, through ports C1 and C2. This valve module includes 2 sections, each one composed by a check and a relief valve pilot assisted by pressure in the opposite line: the check section allows free flow into the actuator, then holds the load against reverse movement; with pilot pressure applied at the line across, the pressure setting of the relief is reduced in proportion to the stated ratio until opening and allowing controlled reverse flow. Back-pressure at V1 or V2 is additive to the pressure setting in all functions.

Performance



Technical data

Hydraulic

Max. operating pressure bar (psi) 350 (5000)

Max. flow l/min (gpm) 80 (21)

Relief setting: at least 1.3 times the highest expected load.

General

Manifold material Steel

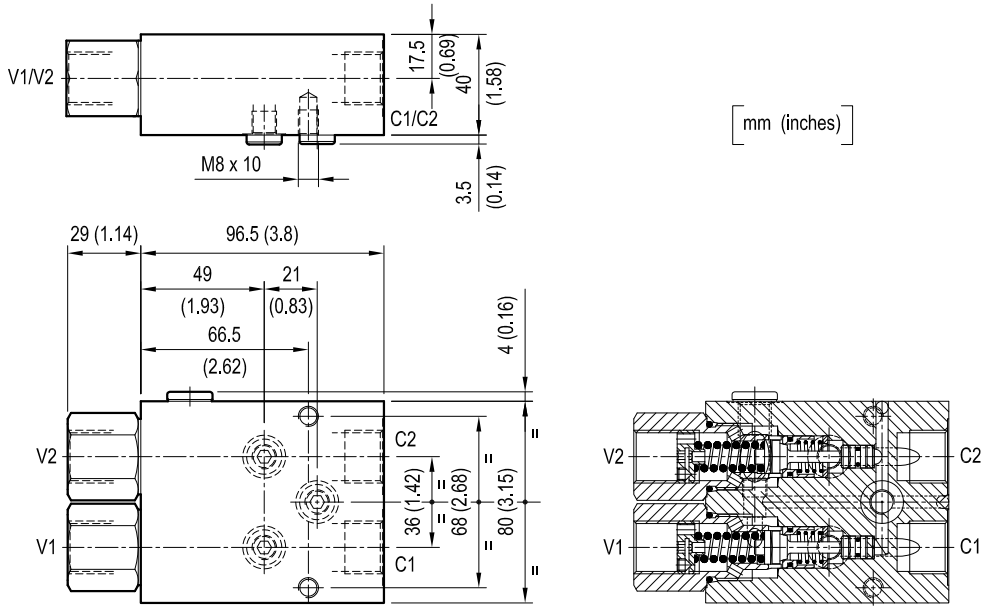
Weight kg (lbs) 2.30 (5.07)

Fluid temperature range °C (°F) between -30 (-22) and +100 (212)

Other technical data see data sheet RE 18350-50

Note: for applications outside these parameters, please consult us.

Dimensions



Ordering code

08.44.60 | **X** | **Y** | **Z**

Dual counterbalance

Pilot ratio

= 03 4.2:1

Port sizes

V1-V2

C1-C2

= 03

G 1/2

G 1/2

SPRINGS			
	Adj. pressure range bar (psi)	Pres. increase bar/turn (psi/turn)	Std. setting Q=5 (l/min.) bar (psi)
= 35	100-350 (1450-5000)	147 (2132)	350 (5000)

Type	Material number
084460030335000	R930003440

Type	Material number