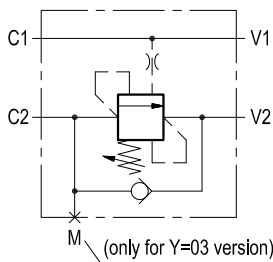


**RE 18307-39/04.10** 1/2  
Replaces: RE 00171/02.07

# Single counterbalance

**A-VBSO-SE-30-PL**

**08.45.16 - X - Y - Z**



## Description

When pressure at V2 rises above the spring bias pressure, the check seat is pushed away from the piston and flow is allowed from V2 to C2. When load pressure at C2 rises above the pressure setting, the direct operated, differential area, relief function is activated and flow is relieved from C2 to V2. With pilot pressure at V1-C1, the pressure setting is reduced in proportion to the stated ratio of the valve, until opening and allowing flow from C2 to V2. The spring chamber is drained to V2, and any back-pressure at V2 is additive to the pressure setting in all functions.

## Technical data

### Hydraulic

Max. operating pressure	bar (psi)	350 (5000)
Max. flow	l/min (gpm)	60 (16)

Relief setting: at least 1.3 times the highest expected load.

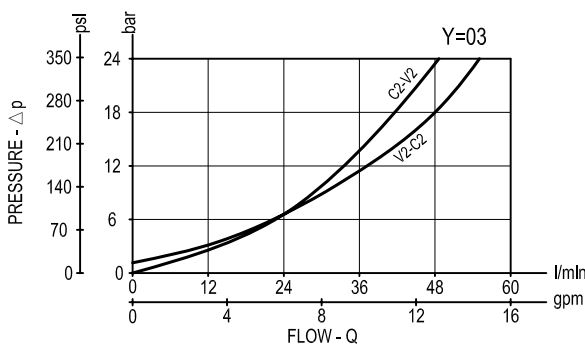
For higher stability at all flows and pressures, the pilot line includes hydraulic damping.

### General

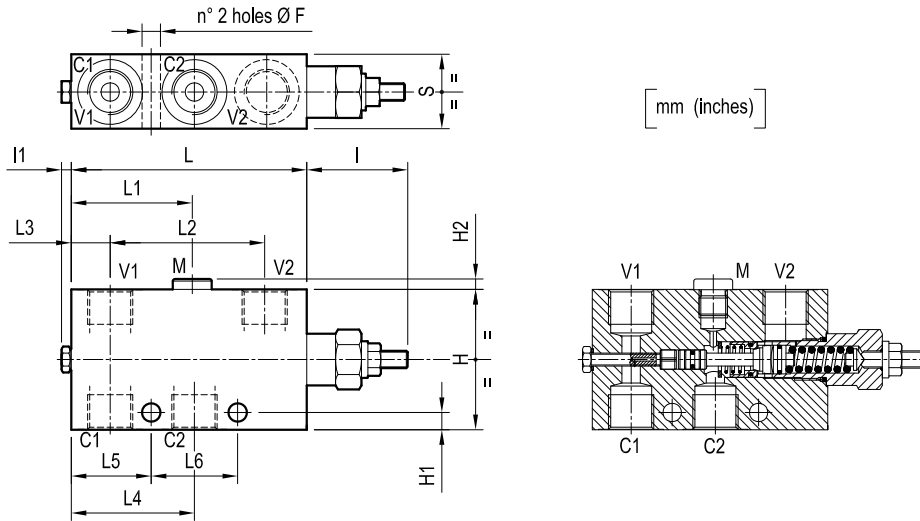
Manifold material	Steel
Weight	see "Dimensions"
Fluid temperature range	°C (°F) between -30 (-22) and +100 (212)
Other technical data	see data sheet RE 18350-50

**Note:** for applications outside these parameters, please consult us.

## Performance



Dimensions



35 (1.38)	40 (1.58)	37.3 (1.47)	57.3 (2.26)	18 (0.71)	71 (2.8)	55.3 (2.18)	109 (4.29)	4.5 (0.18)	47 (1.85)	5 (0.2)	8 (0.32)	65 (2.56)	8.5 (0.34)	G 1/2	1.81 (3.99)
30 (1.18)	40 (1.58)	37.3 (1.47)	57.3 (2.26)	18 (0.71)	71 (2.8)	-	109 (4.29)	4.5 (0.18)	47 (1.85)	-	8 (0.32)	55 (2.17)	8.5 (0.34)	G 3/8	1.3 (2.87)
S	L6	L5	L4	L3	L2	L1	L	I1	I	H2	H1	H	F	Y	Weight kg (lbs)

Ordering code

**08.45.16** | **X** | **Y** | **Z**

Single counterbalance

Pilot ratio

= 03 4.2:1

Port sizes	V1-V2	C1-C2	M
= 02	G 3/8	G 3/8	/
= 03	G 1/2	G 1/2	G 1/4

	SPRINGS		
	Adj. pressure range bar (psi)	Pres. increase bar/turn (psi/turn)	Std. setting Q=5 (l/min.) bar (psi)
= 20	60-210 (870-3000)	56 (812)	200 (2900)
= 35	100-350 (1450-5000)	138 (2001)	350 (5000)

Tamper resistant cap  
code 11.04.23.002  
R930000752



Type	Material number
08451603022000A	R930003475
08451603023500B	R930003476
08451603032000B	R930003480
08451603033500B	R930003481

Type	Material number