

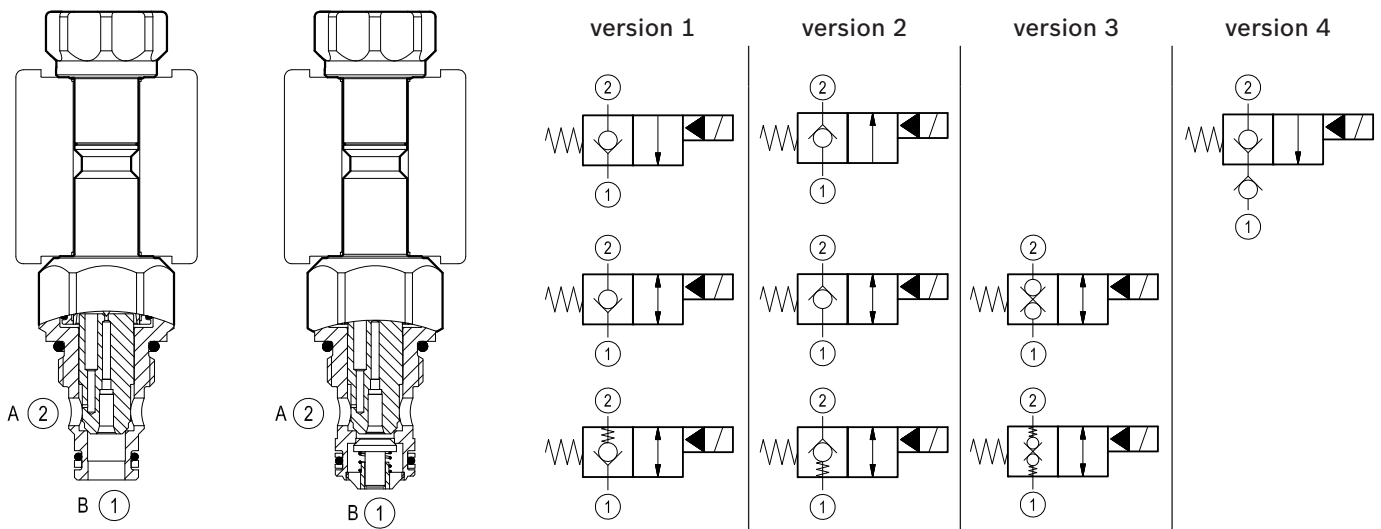
Solenoid operated valves pilot operated poppet type 2-way normally closed

Common cavity, Size 08



VEI-8A-06-NC

OD.15 - X - Y - Z - S



General

Weight	kg (lbs)	0.16 (0.35)
Installation orientation		Optional
Ambient temperature range	°C (°F)	-30 to 60 (-22 to 140)

Hydraulic

Max. operating pressure	bar (psi)	350 (5000)
Max. proof pressure	bar (psi)	420 (6000)
Flow range	l/min. (gpm)	0.5-40 (0.1-11)
Fatigue cycle life	cycles	1 million cycles at 350 bar
Max. internal leakage	drops/min.	20
Fluid temperature range	°C (°F)	-20 to 80 (-4 to 176)

Fluids Mineral-based or synthetics with lubricating properties at viscosities of 20 to 380 mm²/s (cSt)

Installation torque Nm (ft-lbs) 39-51 (29-38)

Filtration Nominal value max. 10µm (NAS 8) ISO 4406 19/17/14

Cavity CA-08A-2N (version 4: 019-E)

Line bodies See data sheet RE 18325-85

Seal kit version 1 code material no. RG08A2010520100 R901101437

Seal kit version 2-3 code material no. RG08A2010530100 R901101544

Seal kit version 4 code material no. RG19E201053010 R934003561

Seal kit coil code material no. RG12A1PNBR7010 R934003958

Other technical data See data sheet RE 18350-50

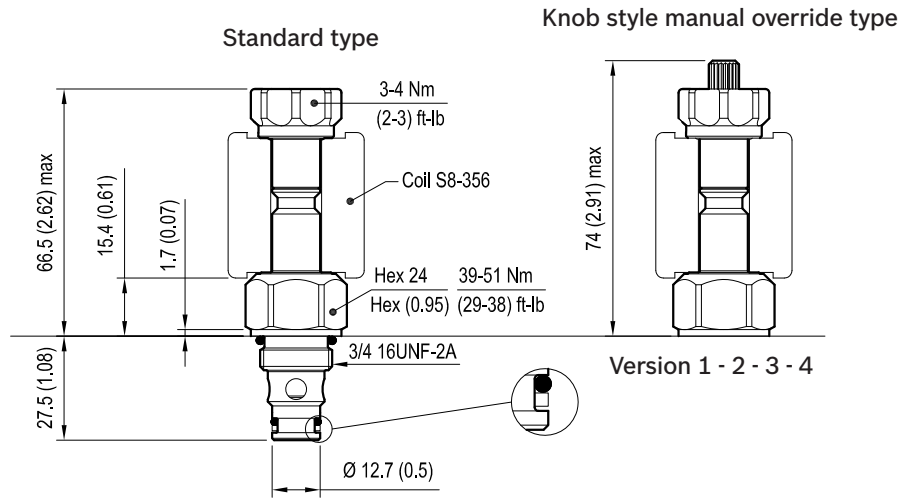
Electrical

Type of voltage	DC voltage
Coil type	S8-356 see RE 18325-90
Supply voltage	See data sheet RE 18325-90
Nominal voltage	± 10%
Power consumption	W 20
Duty cycle coil	% See performance graphs
Type of protection	See data sheet RE 18325-90

Note: Coils must be ordered separately.

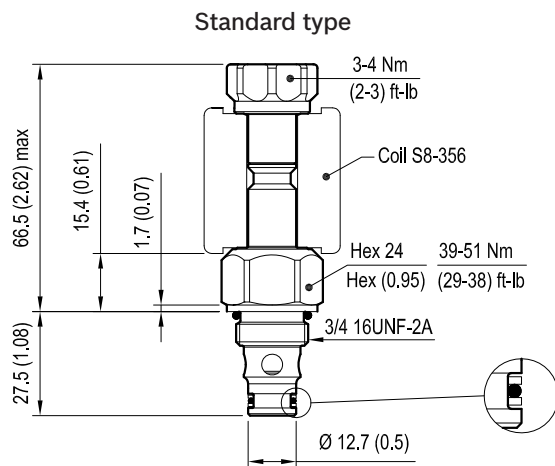
Dimensions

Version 1: Solenoid operated valve, poppet 2-way normally closed

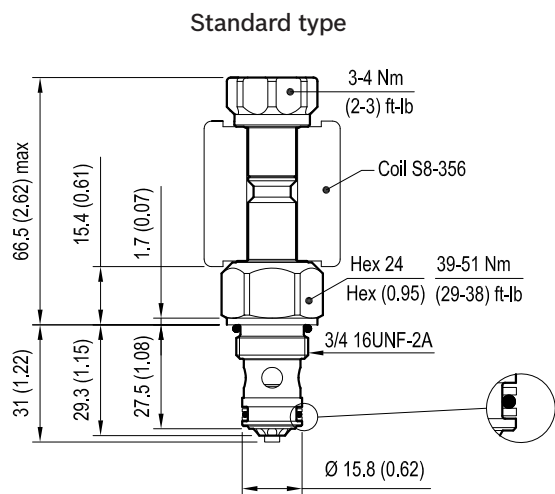


Version 2: Solenoid operated valve, poppet 2-way normally closed

Version 3: Solenoid operated valve, poppet 2-way double lock normally closed



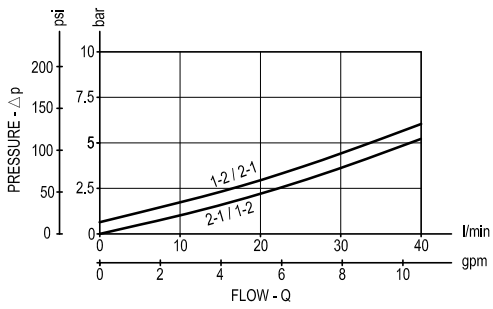
Version 4: Solenoid operated valve, poppet 2-way normally closed



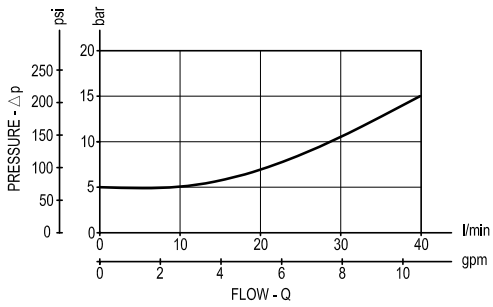
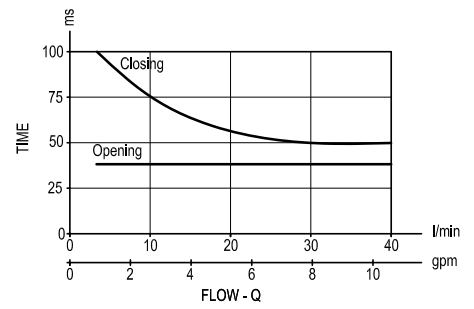
mm (Inches)

Performance graphs

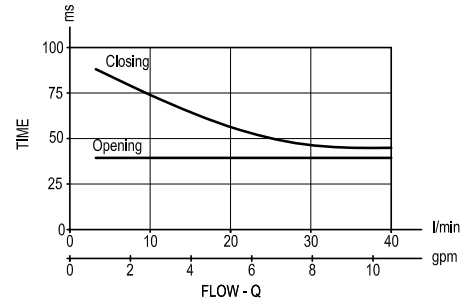
Version 1 - Version 2



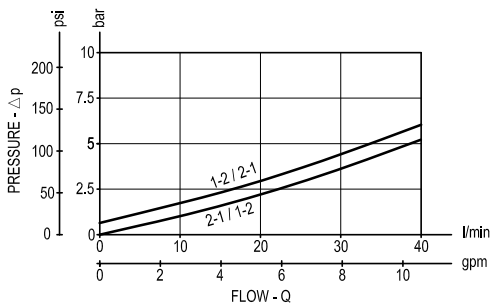
Standard



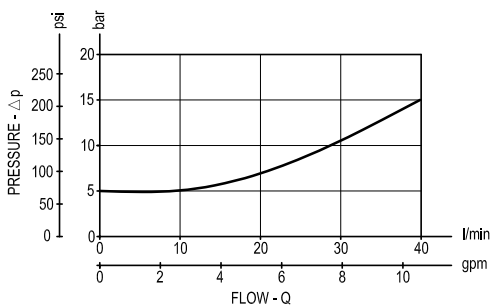
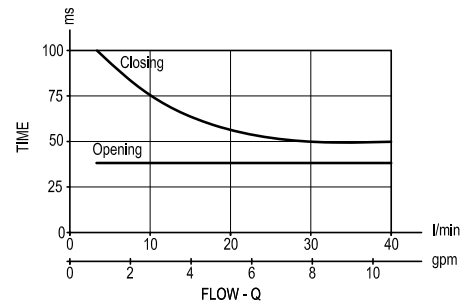
Extra spring



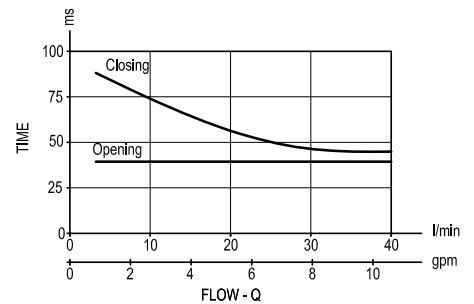
Version 3



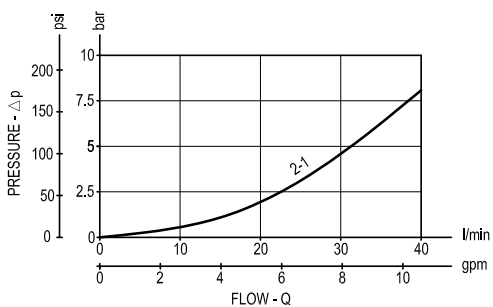
Standard



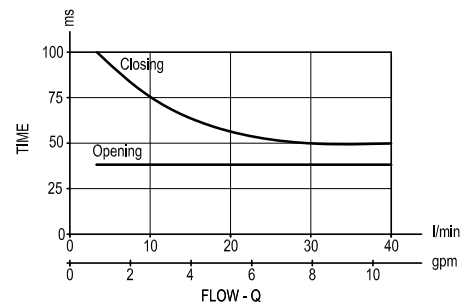
Extra spring



Version 4

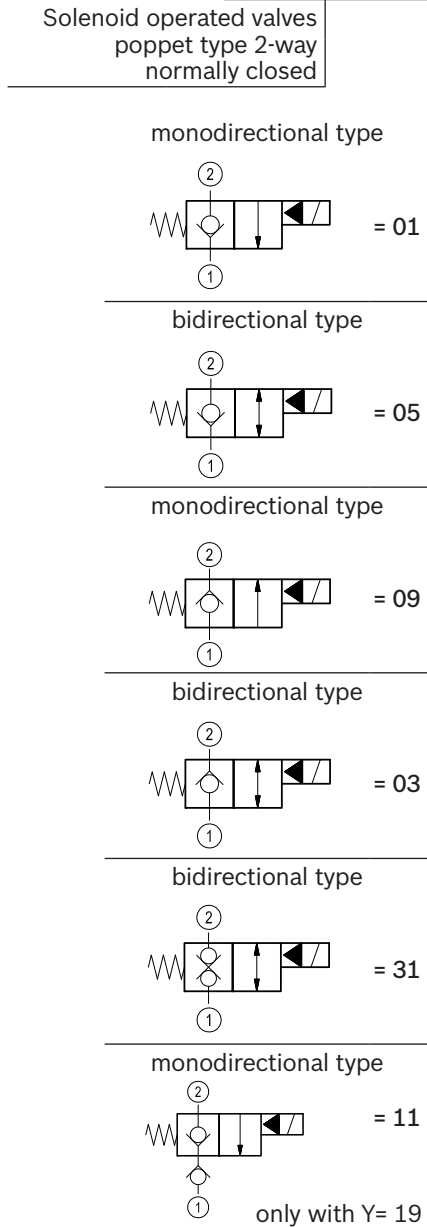


Standard



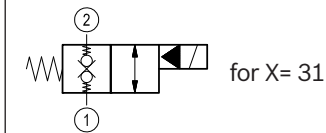
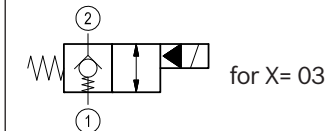
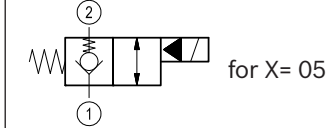
Ordering code

OD.15	X	Y	*	*
-------	---	---	---	---

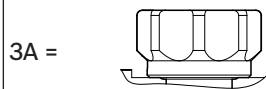


S0 = Tube not welded

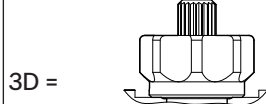
S8 = Tube not welded with extra spring



standard type



knob style manual override



18 = Common cavity: CA-08A-2N

19 = Special cavity: 019-E only with X= 11

Type	Material number
OD1501183AS000	R901091096
OD1501183DS000	R901091101
OD1503183AS000	R934000779
OD1503183AS800	R934003063
OD1503183DS000	R901091112
OD1503183DS800	R934003064
OD1505183AS000	R901083058
OD1505183AS800	R934003080
OD1505183DS000	R901087979

Type	Material number
OD1509183AS000	R901091150
OD1509183DS000	R901091151
OD1531183AS000	R901082015
OD1531183AS800	R934000104
OD1531183DS000	R901091164
OD1511193AS000	R901091157
OD1511193DS000	R901091158