

RE 18323-07/01.10  
 Replaces: 01.06

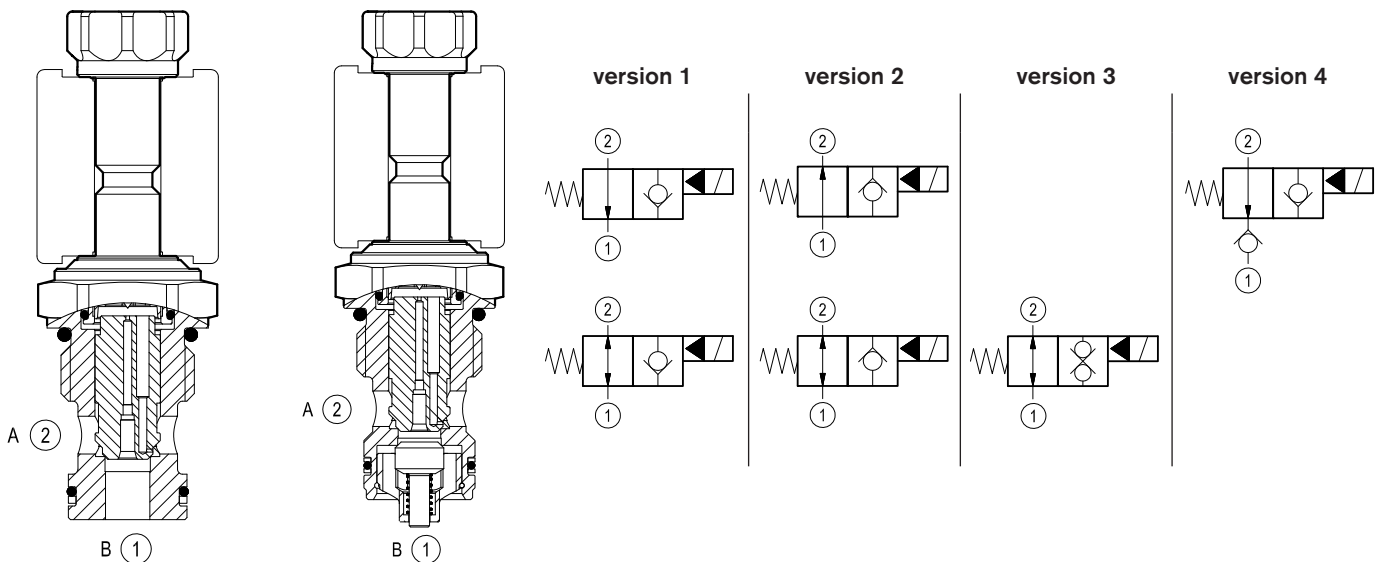
1/4

# Solenoid operated valves pilot operated poppet type 2-way normally open

Special cavity, 017-E

VEI-8A-09-NA

OD.15 - X - 17 - Y - S0



## General

Weight	kg (lbs)	0.21 (0.46)
Installation orientation		Optional
Ambient temperature range	°C (°F)	-30 to 60 (-22 to 140)

## Hydraulic

Max. operating pressure	bar (psi)	350 (5000)
Flow range	l/min. (gpm)	2-70 (0.5-18)
Max. internal leakage	drops/min.	20
Fluid temperature range	°C (°F)	-20 to 80 (-4 to 176)
Fluids		Mineral-based or synthetics with lubricating properties at viscosities of 20 to 380 mm <sup>2</sup> /s (cSt)
Installation torque	Nm (ft-lbs)	54-66 (40-49)
Filtration		Nominal value max. 10µm (NAS 8) ISO 4406 19/17/14
Cavity		017-E see RE 18325-75
Line bodies		See data sheet RE 18325-85
Seal kit - version 1	code material no.	RG17E201052010 R934003562
Seal kit - version 2-3-4	code material no.	RG17E201053010 R934003563
Seal kit coil	code material no.	RG12A1PNBR7000 R934003591
Other technical data		See data sheet RE 18350-50

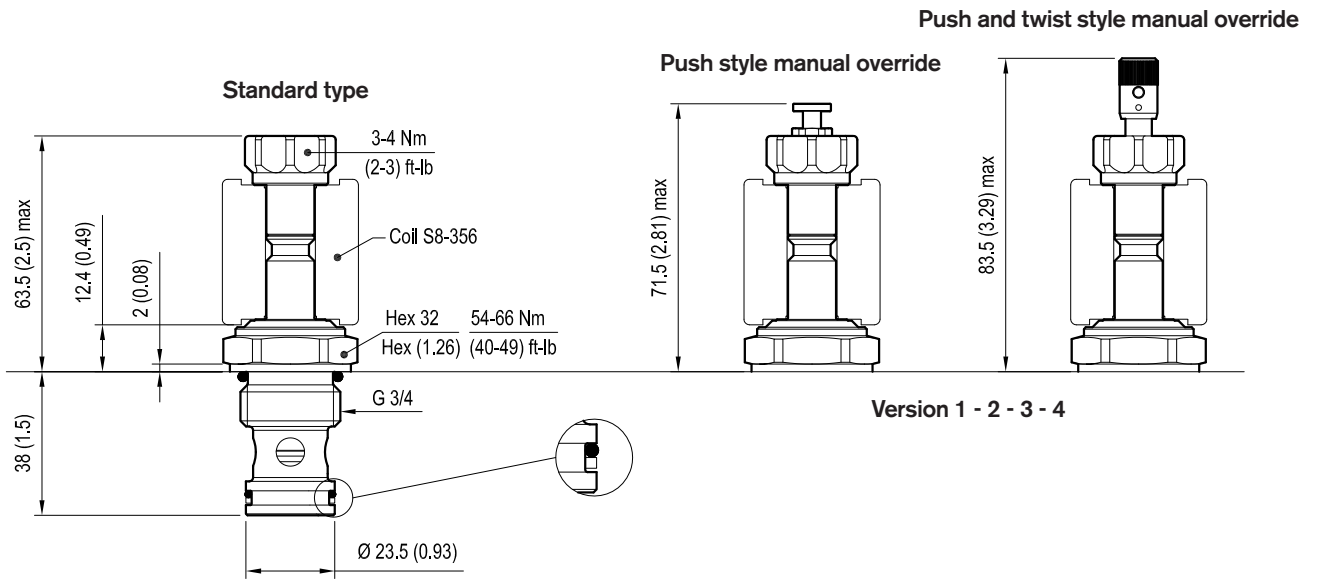
## Electrical

Type of voltage	DC voltage
Coil type	S8-356 see RE 18325-90
Supply voltage	See data sheet RE 18325-90
Nominal voltage	± 10%
Power consumption	W 20
Duty cycle coil	% See performance graphs
Type of protection	See data sheet RE 18325-90

**Note: Coils must be ordered separately.**

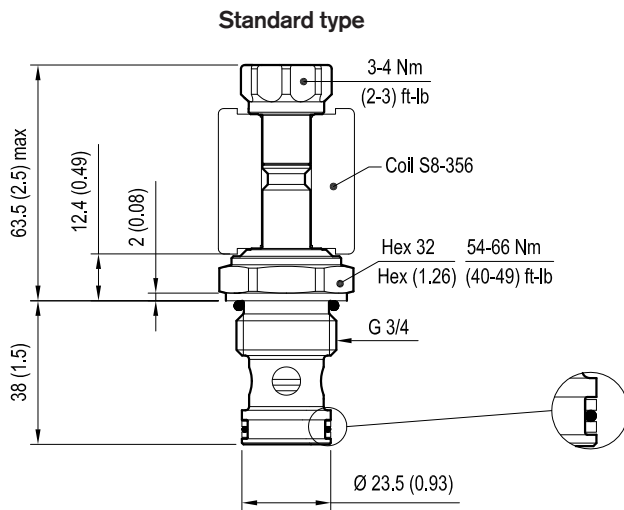
## Dimensions

### Version 1: Solenoid operated valve, poppet 2-way normally open

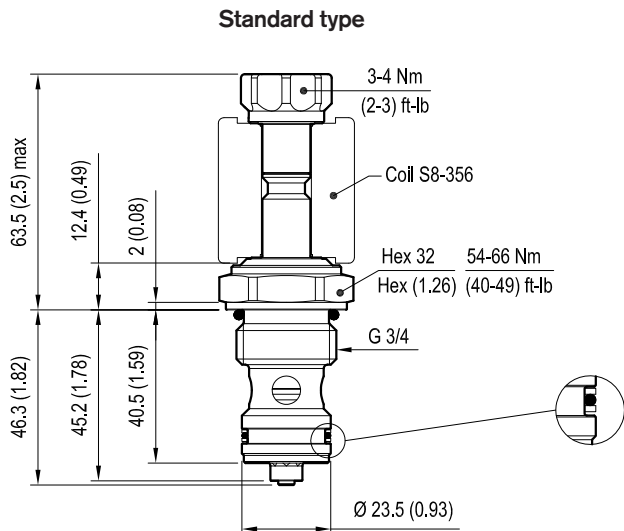


### Version 2: Solenoid operated valve, poppet 2-way normally open

### Version 3: Solenoid operated valve, poppet 2-way double lock normally open



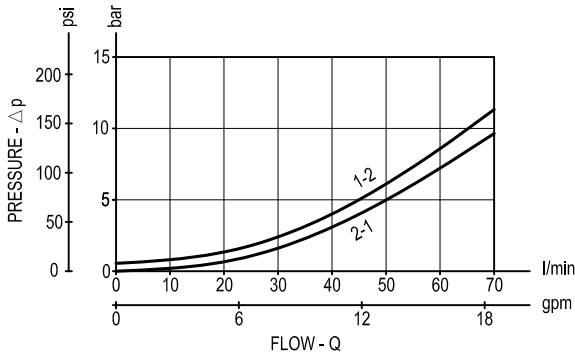
### Version 4: Solenoid operated valve, poppet 2-way normally open



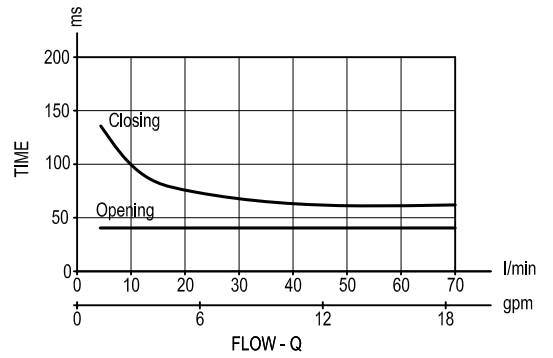
mm (Inches)

Performance graphs

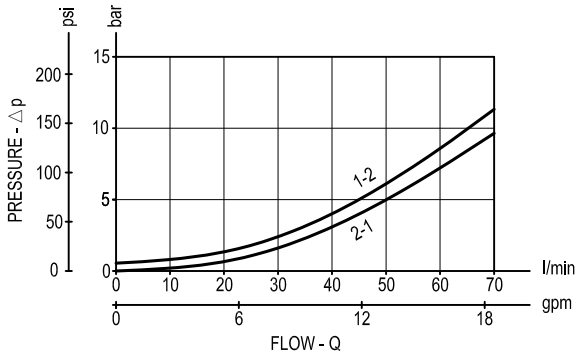
Version 1 - Version 2



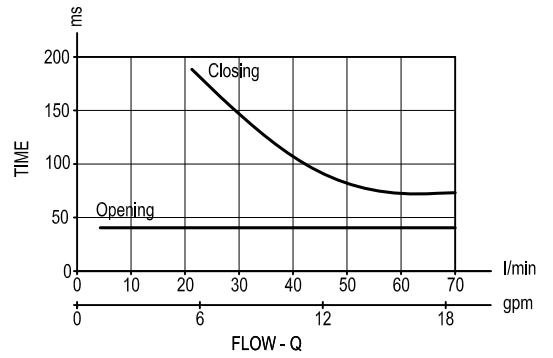
Standard



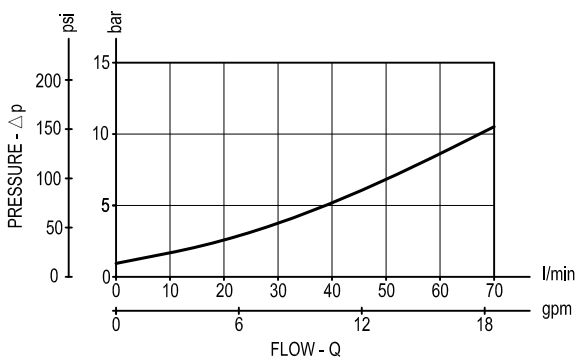
Version 3



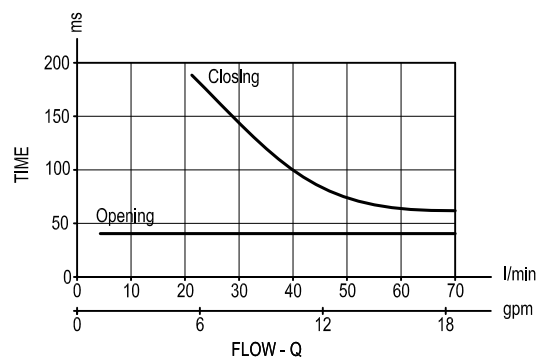
Standard



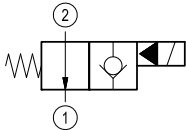
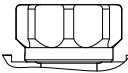
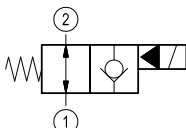
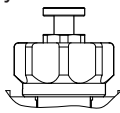
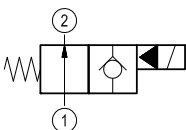
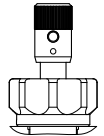
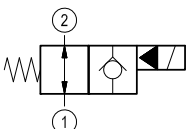
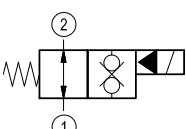
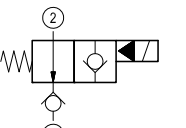
Version 4



Standard



## Ordering code

OD.15	*	17	*	S0
Solenoid operated valves poppet type 2-way normally open		Tube not welded		
monodirectional type				standard type
 = 02				1A = 
bidirectional type				Push style manual override
 = 06				1B = 
monodirectional type				Push and twist style manual override
 = 10				1C = 
bidirectional type				Special cavity: 017-E
 = 04				
bidirectional type				
 = 32				
monodirectional type				
 = 12				

Type	Material number
OD1502171AS000	R934000718
OD1502171BS000	R934000721
OD1502171CS000	R901177370
OD1506171AS000	R901113677
OD1506171BS000	R901113680
OD1506171CS000	R934000956
OD1504171AS000	R901113668
OD1504171BS000	R901113669
OD1504171CS000	R934000809

Type	Material number
OD1510171AS000	R934001051
OD1510171CS000	R934001052
OD1512171AS000	R934001090
OD1532171AS000	R901113683
OD1532171BS000	R901113684
OD1532171CS000	R934001189