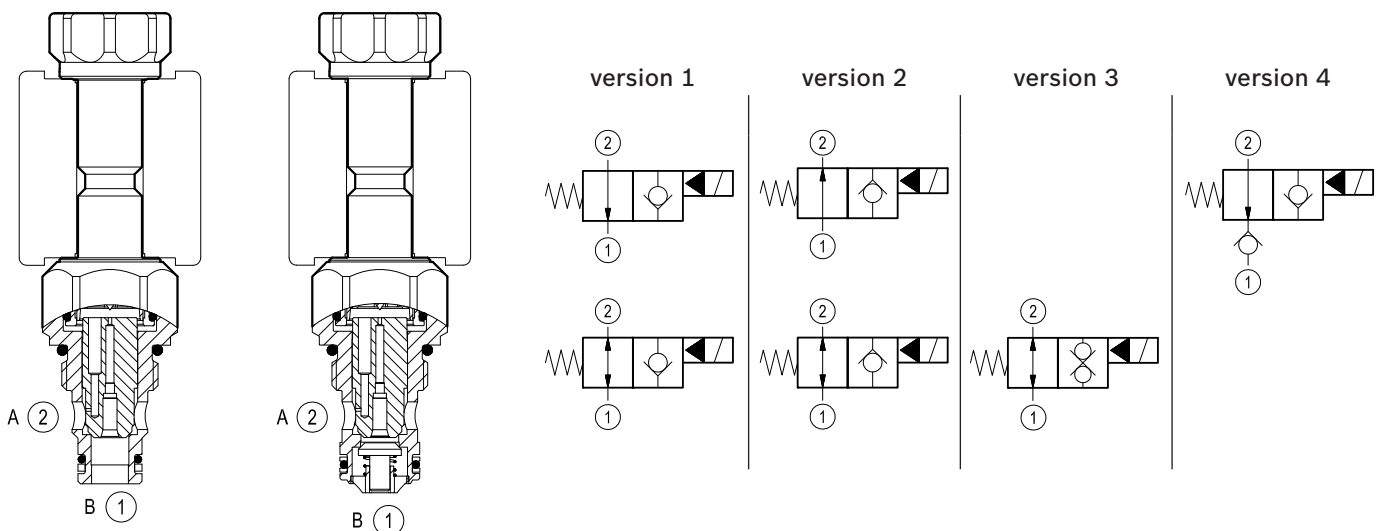


## Solenoid operated valves pilot operated poppet type 2-way normally open

Common cavity, Size 08

VEI-8A-06-NA

OD.15 - X - Y - Z - S0



### General

Weight	kg (lbs)	0.12 (0.26)
Installation orientation		Optional
Ambient temperature range	°C (°F)	-30 to 60 (-22 to 140)

### Hydraulic

Max. operating pressure	bar (psi)	350 (5000)
Max. proof pressure	bar (psi)	420 (6000)
Flow range	l/min. (gpm)	1.5-40 (0.4-11)
Fatigue cycle life	cycles	1 million cycles at 350 bar
Max. internal leakage	drops/min.	20
Fluid temperature range	°C (°F)	-20 to 80 (-4 to 176)
Fluids		Mineral-based or synthetics with lubricating properties at viscosities of 20 to 380 mm <sup>2</sup> /s (cSt)
Installation torque	Nm (ft-lbs)	39-51 (29-38)
Filtration		Nominal value max. 10µm (NAS 8) ISO 4406 19/17/14
Cavity		CA-08A-2N / 019-E see RE 18325-75
Line bodies		See data sheet RE 18325-85
Seal kit version 1	code material no.	RG08A2010520100 R901101437
Seal kit version 2-3	code material no.	RG08A2010530100 R901101544
Seal kit version 4	code material no.	RG19E201053010 R934003561
Seal kit coil	code material no.	RG12A1PNBR7010 R934003958
Other technical data		See data sheet RE 18350-50

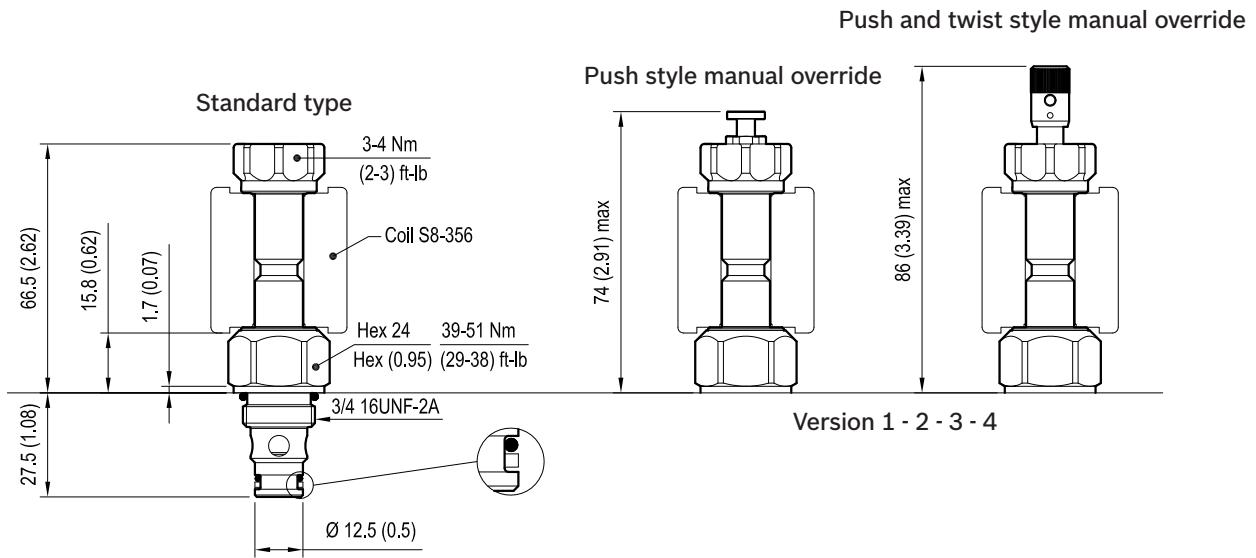
### Electrical

Type of voltage	DC voltage
Coil type	S8-356 see RE 18325-90
Supply voltage	See data sheet RE 18325-90
Nominal voltage	± 10%
Power consumption	W 20
Duty cycle coil	% See performance graphs
Type of protection	See data sheet RE 18325-90

Note: Coils must be ordered separately.

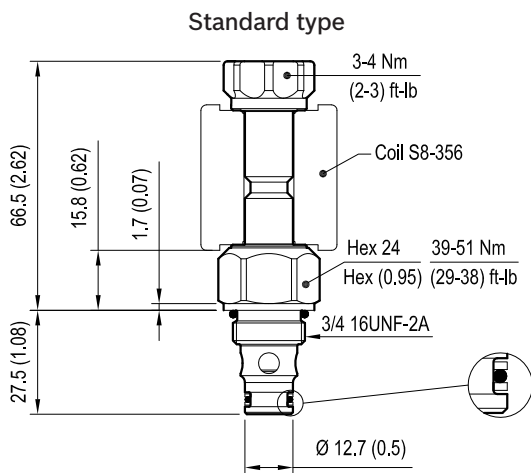
## Dimensions

### Version 1: Solenoid operated valve, poppet 2-way normally open

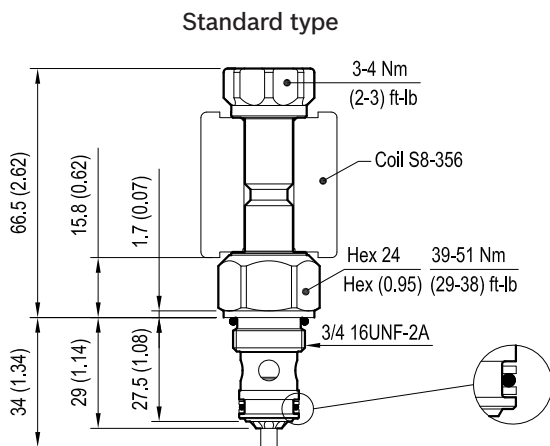


### Version 2: Solenoid operated valve, poppet 2-way normally open

### Version 3: Solenoid operated valve, poppet 2-way double lock normally open



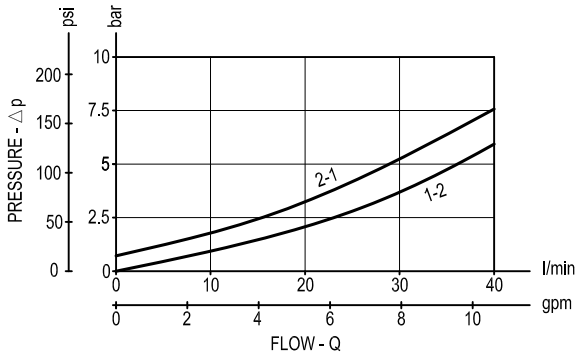
### Version 4: Solenoid operated valve, poppet 2-way normally open



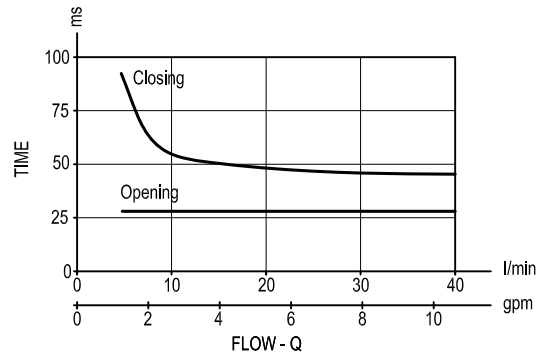
mm (Inches)

# Performance graphs

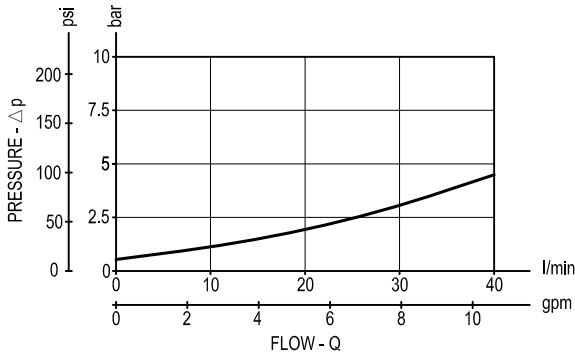
## Version 1 - Version 2



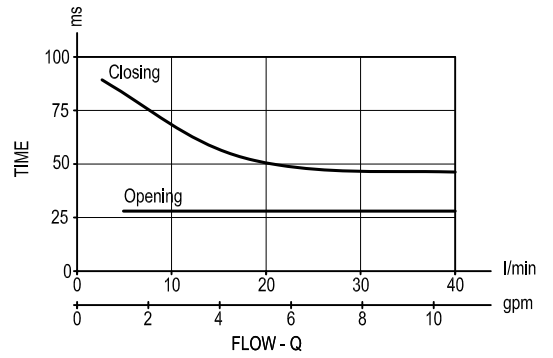
Standard



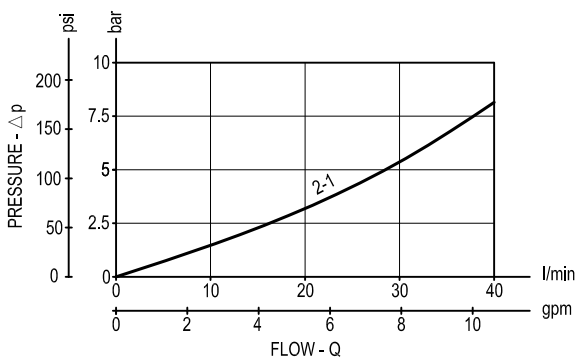
## Version 3



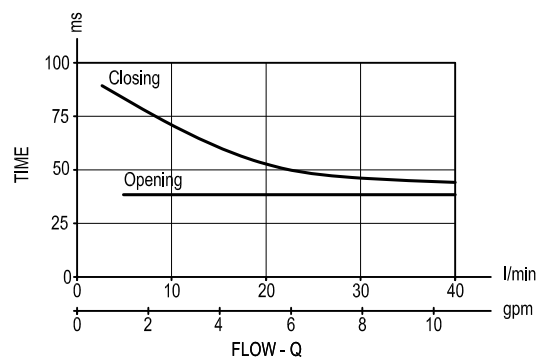
Standard



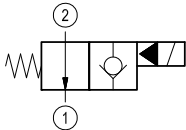
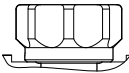
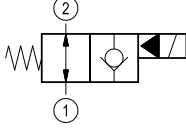
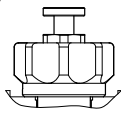
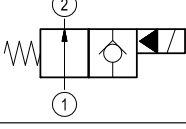
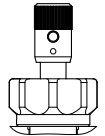
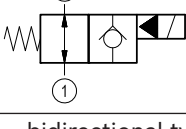
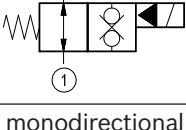
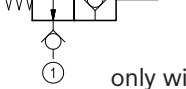
## Version 4



Standard



## Ordering code

OD.15	X	Y	*	S0
Solenoid operated valves poppet type 2-way normally open				
Tube not welded				
monodirectional type				
	= 02	standard type		
1A = 				
bidirectional type				
	= 06	Push style manual override		
1B = 				
monodirectional type				
	= 10	Push and twist style manual override		
1C = 				
bidirectional type				
	= 04	18 = Common cavity: CA-08A-2N		
19 = Special cavity: 019-E only with X= 12				
bidirectional type				
	= 32			
monodirectional type				
	= 12	only with Y= 19		

Type	Material number
OD1502181AS000	R901091102
OD1502181BS000	R901091105
OD1502181CS000	R901091106
OD1506181AS000	R901091130
OD1506181BS000	R901091131
OD1506181CS000	R901091132
OD1504181AS000	R901091121
OD1504181BS000	R901091122
OD1504181CS000	R901091123

Type	Material number
OD1510181AS000	R901091152
OD1510181BS000	R901091154
OD1510181CS000	R901091155
OD1532181AS000	R901091171
OD1532181BS000	R901091173
OD1532181CS000	R901091174
OD1512191AS000	R901091159
OD1512191BS000	R901091161
OD1512191CS000	R901091162