

RE 18323-08/01.10
Replaces: 01.06

1/4

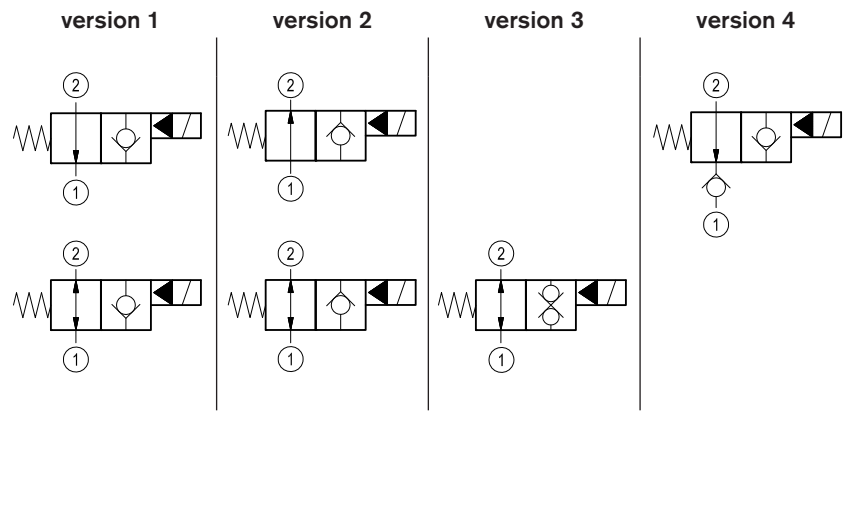
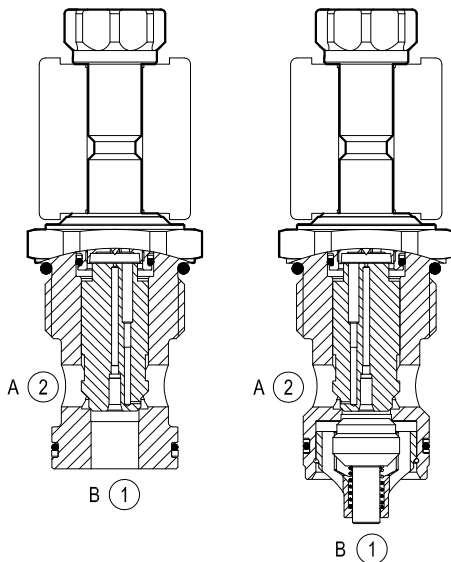
Solenoid operated valves pilot operated poppet type 2-way normally open

Special cavity, 021-E



VEI-8A-12-NA

OD.15 - X - 21 - Y - S0



General

Weight	kg (lbs)	0.34 (0.75)
Installation orientation		Optional
Ambient temperature range	°C (°F)	-30 to 60 (-22 to 140)

Hydraulic

Max. operating pressure	bar (psi)	350 (5000)
Flow range	l/min. (gpm)	5-150 (1-40)
Max. internal leakage	drops/min.	20
Fluid temperature range	°C (°F)	-20 to 80 (-4 to 176)
Fluids		Mineral-based or synthetics with lubricating properties at viscosities of 20 to 380 mm ² /s (cSt)
Installation torque	Nm (ft-lbs)	80-100 (59-74)
Filtration		Nominal value max. 10µm (NAS 8) ISO 4406 19/17/14
Cavity		021-E see RE 18325-75
Line bodies		See data sheet RE 18325-85
Seal kit - version 1	code material no.	RG21E201052010 R934003566
Seal kit - version 2-3-4	code material no.	RG21E201053010 R934003567
Seal kit coil	code material no.	RG12A1PNBR7000 R934003591
Other technical data		See data sheet RE 18350-50

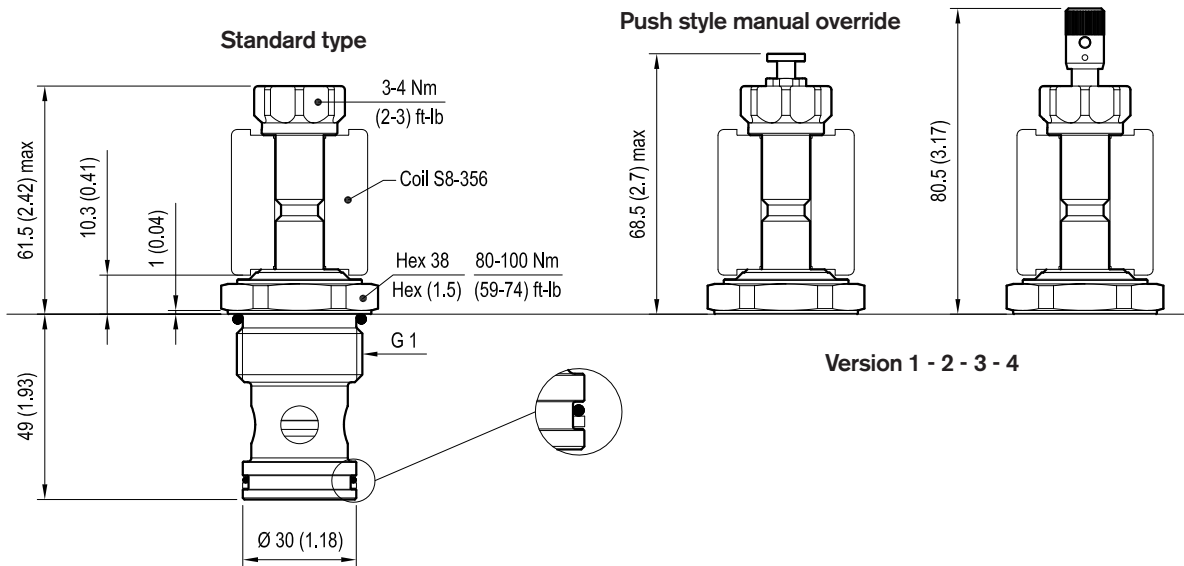
Electrical

Type of voltage	DC voltage
Coil type	S8-356 see RE 18325-90
Supply voltage	See data sheet RE 18325-90
Nominal voltage	± 10%
Power consumption	W 20
Duty cycle coil	% See performance graphs
Type of protection	See data sheet RE 18325-90

Note: Coils must be ordered separately.

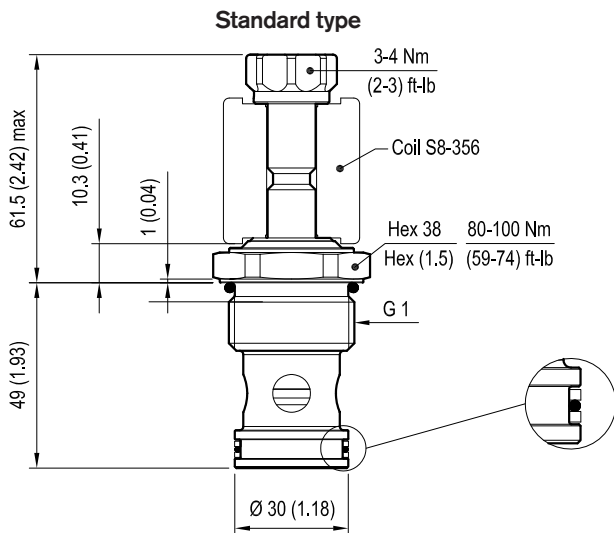
Dimensions

Version 1: Solenoid operated valve, poppet 2-way normally open

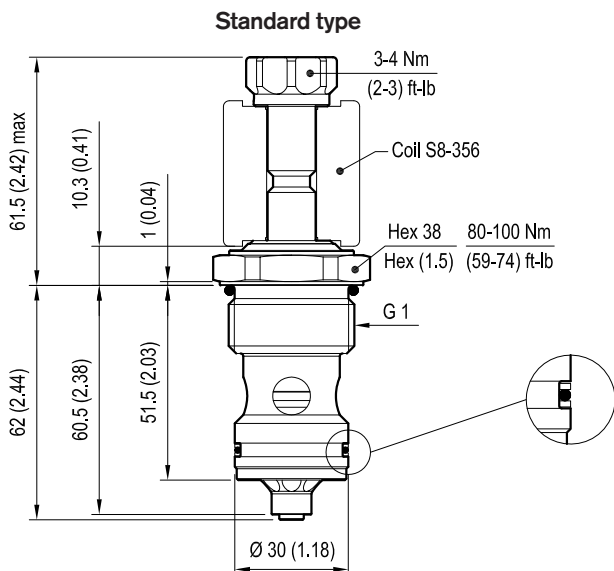


Version 2: Solenoid operated valve, poppet 2-way normally open

Version 3: Solenoid operated valve, poppet 2-way double lock normally open



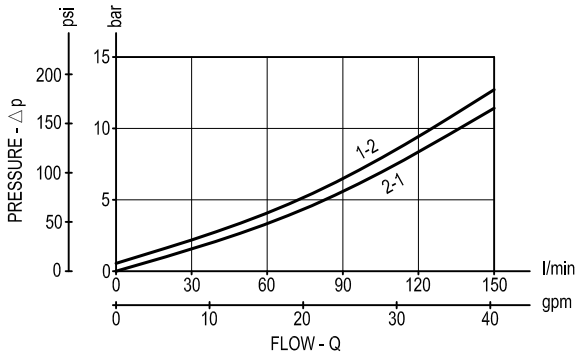
Version 4: Solenoid operated valve, poppet 2-way normally open



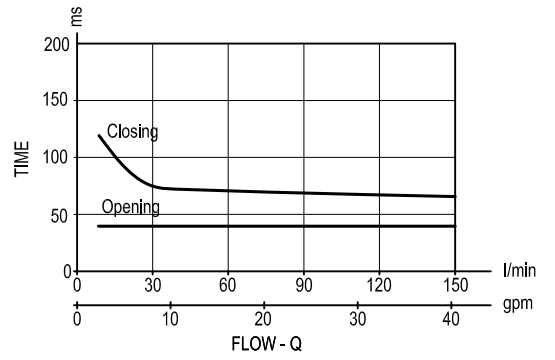
mm (Inches)

Performance graphs

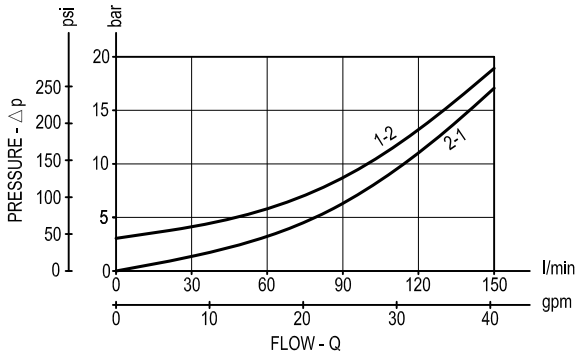
Version 1 - Version 2



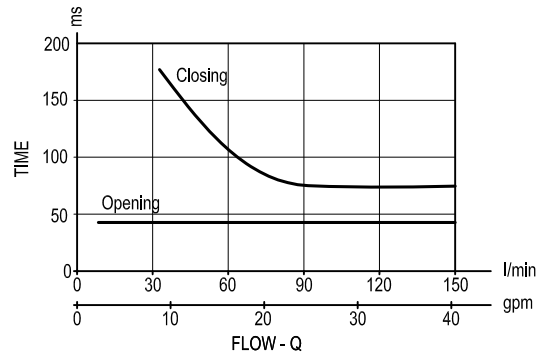
Standard



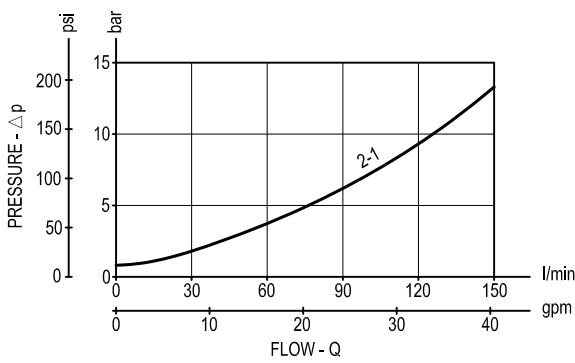
Version 3



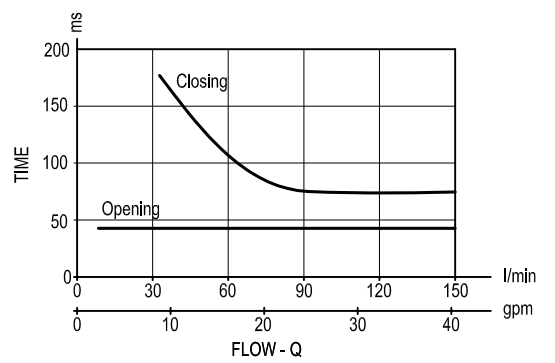
Standard



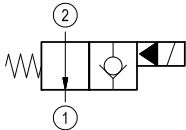
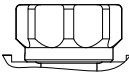
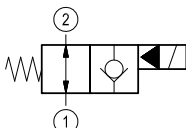
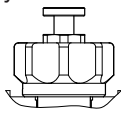
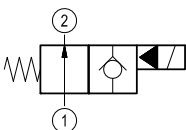
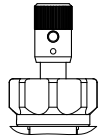
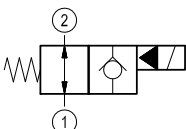
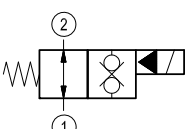
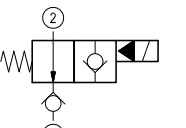
Version 4



Standard



Ordering code

OD.15	*	21	*	S0
Solenoid operated valves poppet type 2-way normally open		Tube not welded		
monodirectional type				standard type
 = 02				1A = 
bidirectional type				Push style manual override
 = 06				1B = 
monodirectional type				Push and twist style manual override
 = 10				1C = 
bidirectional type				Special cavity: 021-E
 = 04				
bidirectional type				
 = 32				
monodirectional type				
 = 12				

Type	Material number
OD1502211AS000	R987067733
OD1502211BS000	R901186074
OD1502211CS000	R934000758
OD1504211AS000	R901113671
OD1504211BS000	R901113672
OD1504211CS000	R934000820
OD1506211AS000	R901104409
OD1506211BS000	R901113681
OD1506211CS000	R901172041

Type	Material number
OD1510211AS000	R901085464
OD1510211BS000	R934001061
OD1512211AS000	R934001100
OD1512211BS000	R934001101
OD1512211CS000	R934001102
OD1532211AS000	R901104415
OD1532211BS000	R901113685
OD1532211CS000	R901191824